

DS-QAZ0530G1**Analog Pendant Speaker 30W**

- 1 × 1.0-inch tweeter and 1 × 6.5-inch woofer
- Rated Power: 100V: 30W/15W/7.5W, 70V : 30W/15W/7.5W/3.25W
- Sensitivity(1 m, 1 W): 92 dB
- Max. SPL: 104 dB
- Frequency Response: 80 Hz to 20 kHz
- White or black appearance optional

▪ Specification

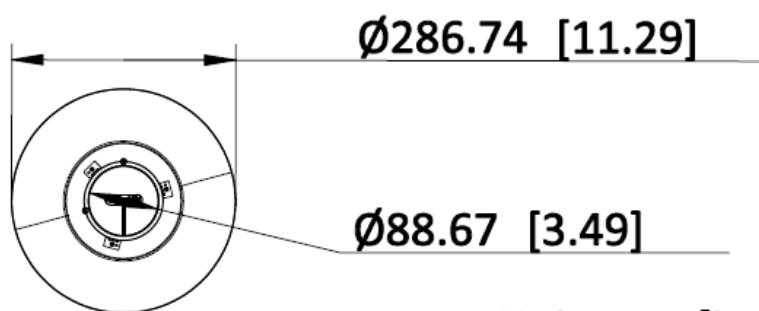
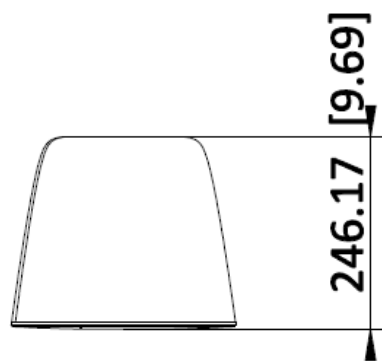
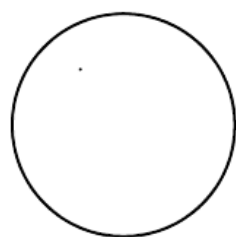
Speaker	
Impedance	8Ω
Rated Power	30W
Total Harmonic Distortion (THD)	≤1%
Sensitivity(1 m, 1 W)	92dB
Max. Acoustic Pressure	104dB
Frequency Response	80Hz~20kHz(-10dB)
Speaker Unit	1 × 1.0-inch tweeter and 1 × 6.5-inch woofer
Coverage Angle	Conical Coverage: 90°
Interface	
Audio In	Constant voltage input: 100 V/Constant voltage input: 70 V/Constant impedance input: 8 Ω
Voltage Input	100V: 30W、15W、7.5W 70V : 30W、15W、7.5W、3.25W 8Ω
General	
Material	Main body: PC Base: ABS
Dimension	∅286.74mm × 246.17mm (11.29" × 9.69")
Weight	Approx. 2.7 kg (5.95 lb.)
Package Dimension	350 mm × 350 mm × 343 mm (13.78" × 13.78" × 13.5")
With Package Weight	Approx. 2.9 kg (6.49 lb.)
Packing List	Device × 1 Regulatory Compliance and Safety Information × 1
Operating Temperature	-10 °C to 45 °C
Operating Humidity	< 90% (No condensation)

▪ Available Model

DS-QAZ0530G1

DS-QAZ0530G1/BLACK

▪ Dimension



Unit: mm [inch]

SCALE	1:1
-------	-----

See Far, Go Further



www.hikvision.com
support@hikvision.com

