

DS-3WF0BC-2NT(B) 2.4Ghz 200m Elevator Wireless Bridge



The dual wireless bridge can be applied in industries, such as wireless video security, railway, transportation, power and other industries, wireless video/data transmission, wireless coverage, carrier wireless backbone network construction, Wi-Fi wireless coverage, rural information construction, and wireless network coverage. The long-distance transmission of the device can guarantee multi-channel HD video transmission.

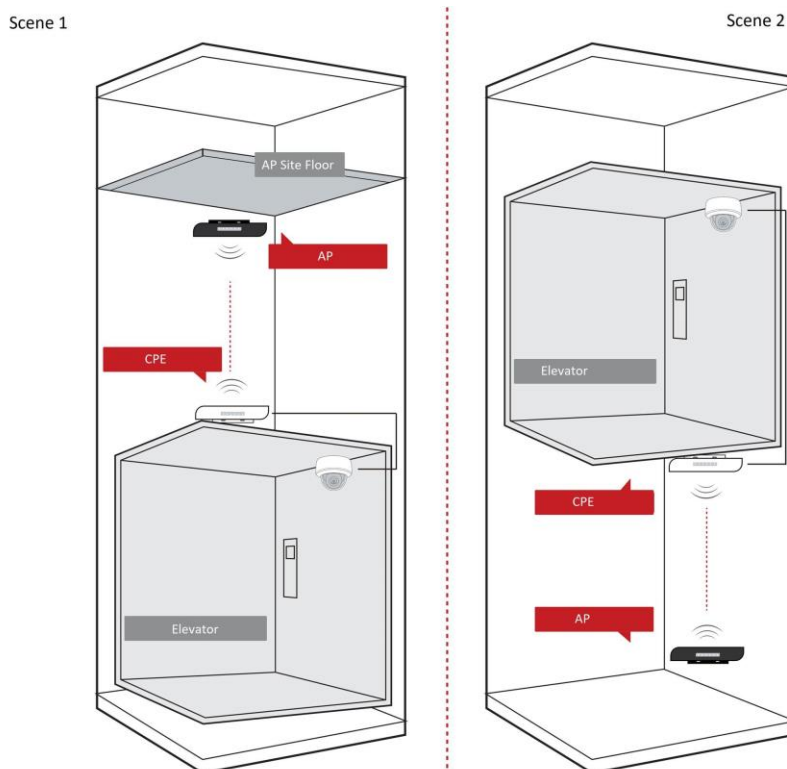
- Up to 200 m wireless transmission distance
- 802.11n wireless bridge
- Ideal Solution for Elevator Connection
- Plug and Play

▪ Specification

Wireless Parameter	
Wireless Standard	IEEE 802.11b/g/n
Max. Transmission Rate of Air Interface	≤ 72 Mbps
Working Frequency Band	2400 MHz ~ 2483.5 MHz
Antenna Gain	7 dBi
Antenna Angle	(H) Beamwidth [3 dB] 50° (V) Beamwidth [3 dB] 50°
Transmitting Power	16 dBm @11b 1Mbps (Note: Transmitting power may vary with local regulations.)
Receiving Sensitivity	-85±2dBm @HT20 MCS0
Throughput Rate	PTP: 30 Mbps/0.2 KM(HT20)
Hardware Parameter	
Network Interface	1 × 10/100 Mbps RJ45 ports
LED Indicator	Power indicator, LAN indicator, Signal intensity indicator
Reset	Hardware resetting button
Power Supply	12-24 VDC Passive PoE
Software Function	
Channel Width	10/20 MHz
Channel Selection	Auto/manual selection
Network Protocol	NTP (network time synchronization), SADP (auto search for IP address), SSH (debugging)
Security Mode	WPA2-PSK
Security Mechanism	Wireless network name hidden
Management Method	Web, iVMS-4200
Upgrade	Web, iVMS-4200
System Log	Syslog
Application Function	Support adaptive frequency hopping. Support fault self-healed.
General	
Product Dimensions (W × H × D)	80 mm × 41.94 mm × 136 mm (3.15" × 1.65" × 5.35")
Package Dimensions (W × H × D)	256 mm × 231 mm × 86 mm (10.07" × 9.09" × 3.38")
Net Weight	0.12 kg (0.26 lb) per device
Gross Weight	0.7 kg (1.54 lb)
Packing List	Wireless Bridge × 2, Power Adapter (12 VDC, 1 A) × 2, 10/100 Mbps PoE Injector × 2, Binding Tape × 4, Quick Start Guide × 1, Regulatory Compliance and Safety Information × 1
Packing Method	Packing in pairs
Working Temperature	-30 °C to 70 °C (-22 °F to 158 °F)
Working Humidity	5% to 95% (no condensation)
Storage Temperature	-40 °C to 80 °C (-40 °F to 176 °F)
Storage Humidity	5% to 95% (no condensation)
Installation Mode	Pole Mounting
Ingress Protection	IP41
Power Consumption	1 W for typical (1-ch 2MP IPC), Max. 2 W
Approval	
EMC	CE-EMC (EN 55032: 2015+A11: 2020, EN IEC 61000-3-2: 2019, EN 61000-3-3: 2013+A1: 2019, EN 50130-4: 2011+A1: 2014, EN 55035: 2017+A11: 2020)

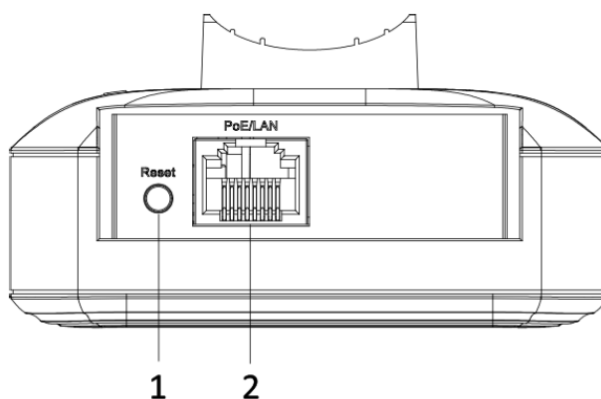
Safety	CB (AMD1:2009, AMD2:2013, IEC 62368-1: 2014 (Second Edition)), CE-LVD (EN 62368-1: 2014+A11: 2017)
Chemistry	CE-RoHS (2011/65/EU), WEEE (2012/19/EU), Reach (Regulation (EC) No.1907/2006)
Radio	EN 301 893, EN 300 440, EN 62311, EN 301 489-3, EN 301 489-17

▪ **Typical Application**



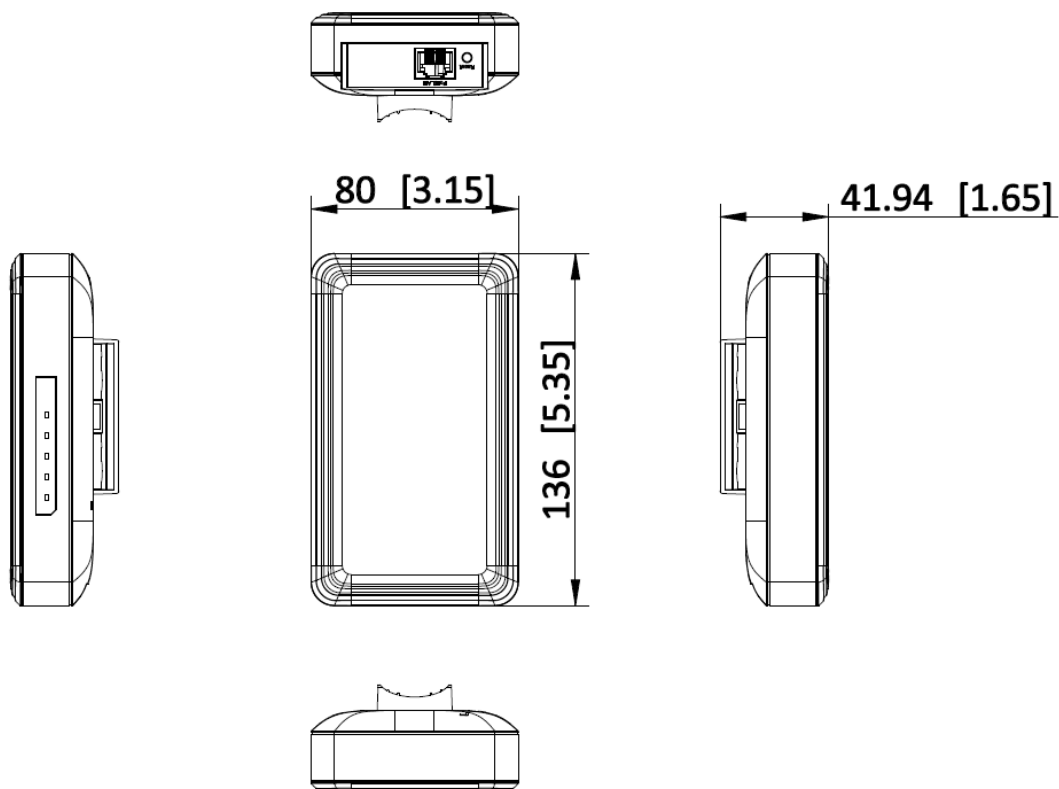
▪ **Physical Interface**

No.	Interface/Button	Description
1	Reset	Long press for 4 seconds to restore to factory settings.
2	PoE/LAN	The 10/100 Mbps adaptive RJ45 port, also can be used as a PoE port.



▪ Available Model

DS-3WF0BC-2NT(B)

▪ Dimension

Unit: mm

Headquarters

No.555 Qianmo Road, Binjiang District,
Hangzhou 310051, China
T +86-571-8807-5998
www.hikvision.com



Follow us on social media to get the latest product and solution information.



Hikvision



HikvisionHQ



HikvisionHQ



Hikvision_Global

Hikvision
Corporate Channel

hikvisionhq